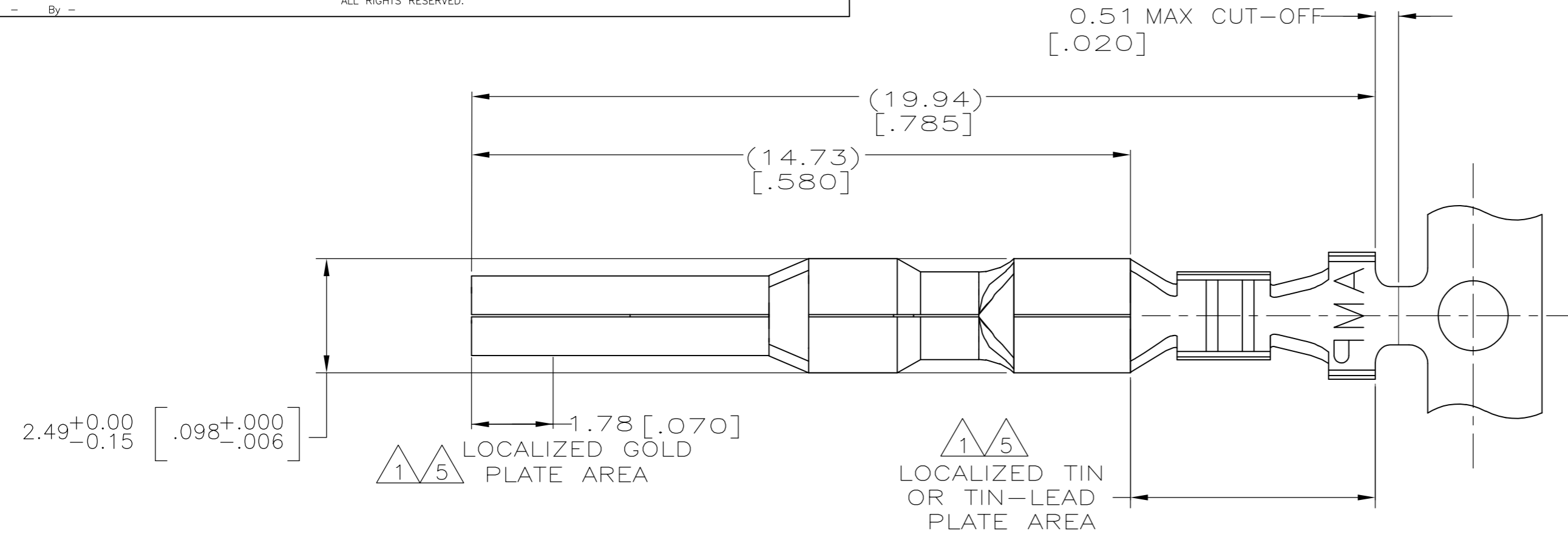
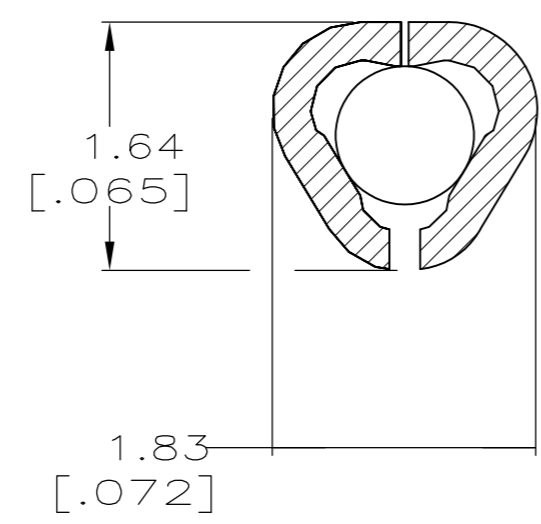
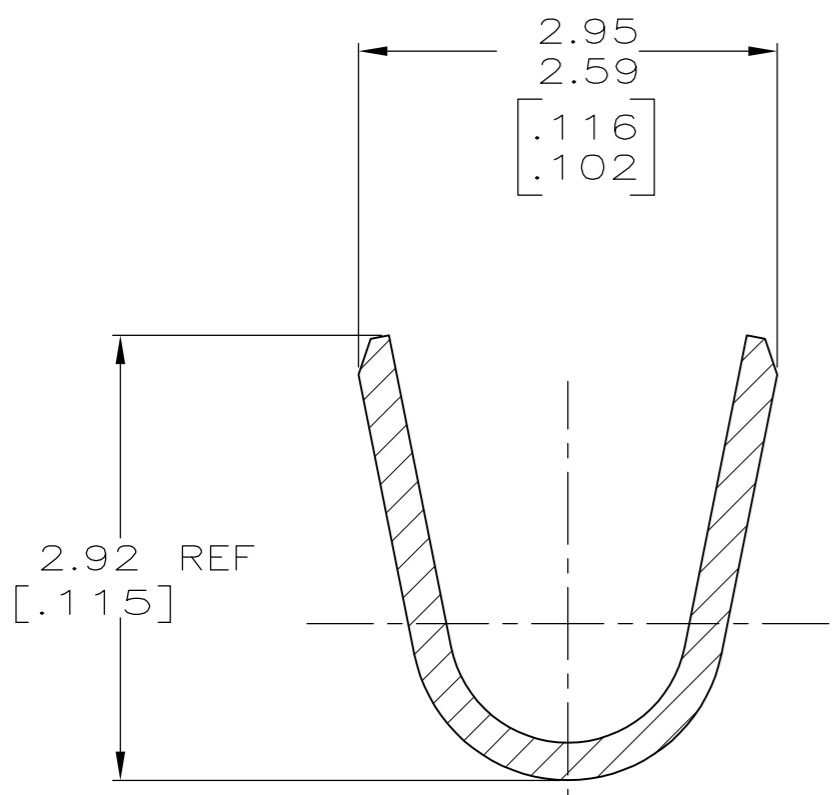
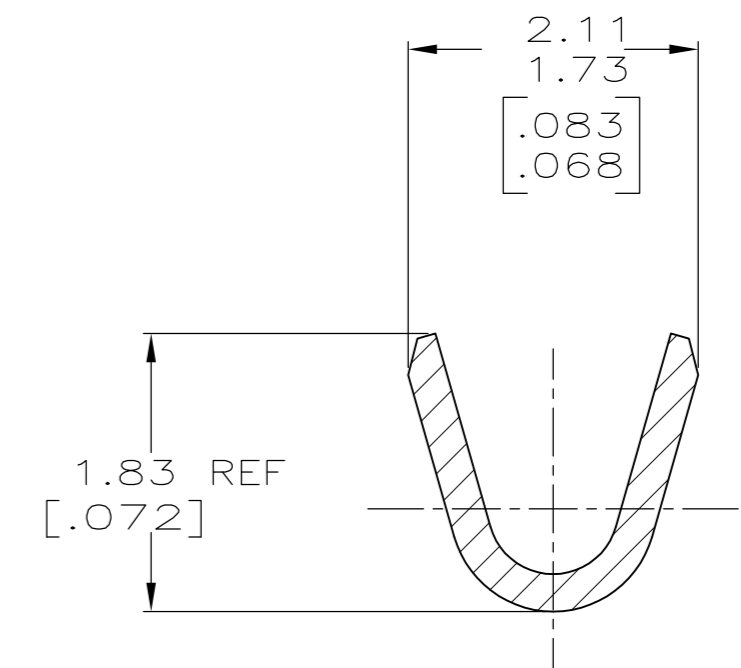
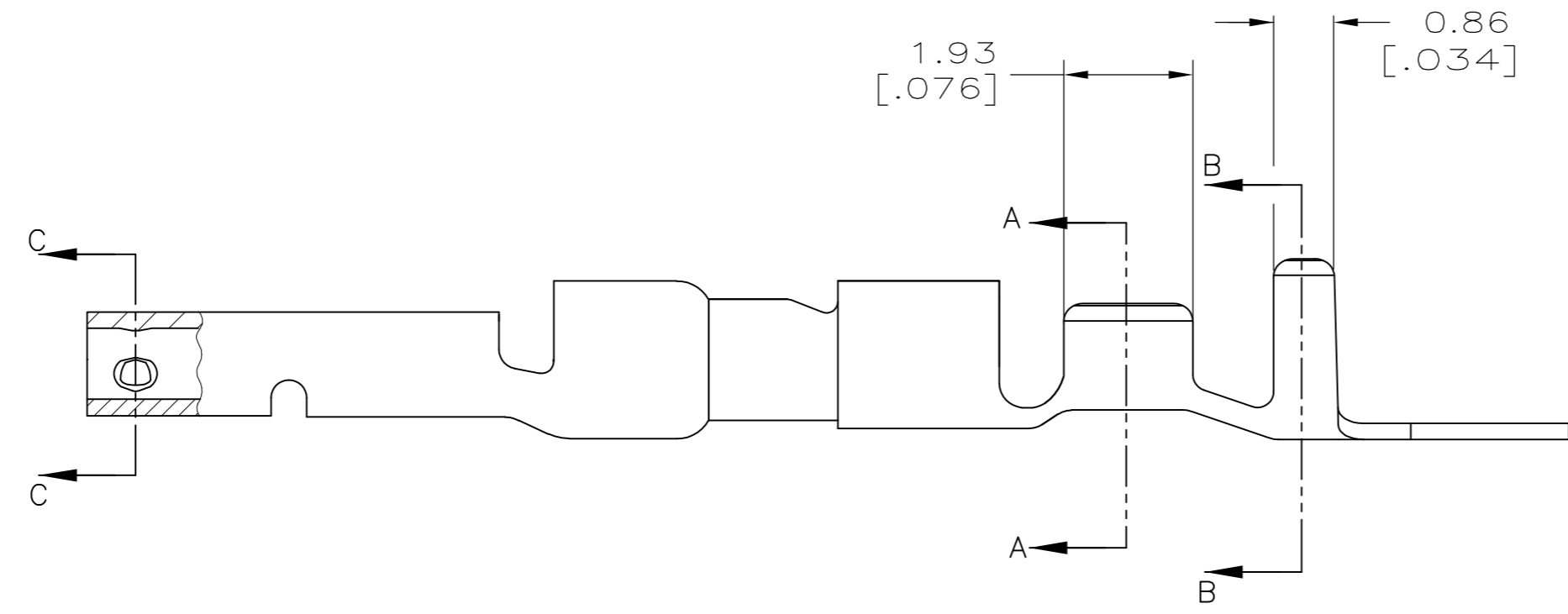


THIS DRAWING IS UNPUBLISHED. RELEASED FOR PUBLICATION  
 © COPYRIGHT - By - ALL RIGHTS RESERVED.

LOC	DIST	REVISIONS			
P	LTR	DESCRIPTION	DATE	DWN	APVD
CM	00				
	F2	REVISED PER ECR-12-010267	05JUN12	JR	TM
	G	REVISED PER ECR-13-011599	08NOV13	AV	RP



- 1 0.00076 [.000030] MIN GOLD IN LOCALIZED GOLD PLATE AREA AND 0.00254 [.000100] MIN BRIGHT TIN-LEAD IN LOCALIZED TIN-LEAD PLATE AREA OVER 0.0013 [.000050] MIN NICKEL.
- 2 WIRE RANGE: 0.12 - 0.4MM<sup>2</sup> (26-22 AWG).
- 3 INSULATION RANGE: 1.19-1.75 [.047-.069] DIA.
- 4 DIMENSIONS IN BRACKETS ARE IN INCHES.
- 5 0.00076 [.000030] MIN GOLD IN LOCALIZED GOLD PLATE AREA AND 0.00254 [.000100] MIN MATTE TIN IN LOCALIZED TIN PLATE AREA OVER 0.0013 [.000050] MIN NICKEL.
- 6 ROHS COMPLIANT.



6	5	0.25 [.010] BRASS	1-794219-0
	1	0.25 [.010] BRASS	794219-3
		PRE-TIN	0.25 [.010] BRASS
		FINISH	MATERIAL
			PART NO

THIS DRAWING IS A CONTROLLED DOCUMENT.

DIMENSIONS: mm [INCHES]	TOLERANCES UNLESS OTHERWISE SPECIFIED:	DWN K. WHITAKER 04MAR2005	CHK C. JONES 04MAR2005	APVD C. JONES 04MAR2005	NAME <b>STE</b> TE Connectivity
0 PLC ± -	1 PLC ± -	2 PLC ± -	3 PLC ± 0.30 [.012]	4 PLC ± -	ANGLES ± -
MATERIAL SEE TABLE	FINISH SEE TABLE	WEIGHT -	SCALE A2 00779	DRAWING NO C=794219	RESTRICTED TO -
CUSTOMER DRAWING			SCALE 10:1	SHEET 1 of 1	REV G